

Changeover Valves

Type 06401 - Changeover Valve DN15



Cryogenic Changeover Valves, stainless steel, PN125

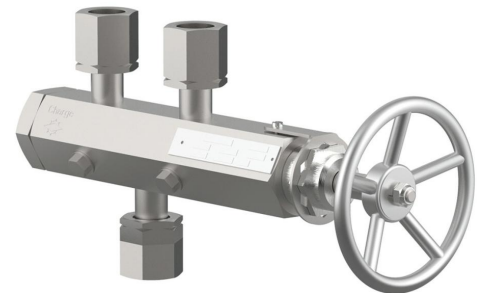
for the installation of two safety valves,
with two test connections G 1/4,
"cleaned and degreased for oxygen service"

Part No. 06401.0150.0000

In- and Outlet: locking sleeve G 3/4

Part No. 06401.0150.9***

*** Changeover valves with other threads for
vessel or safety valve connection on request



Available options - on request only:

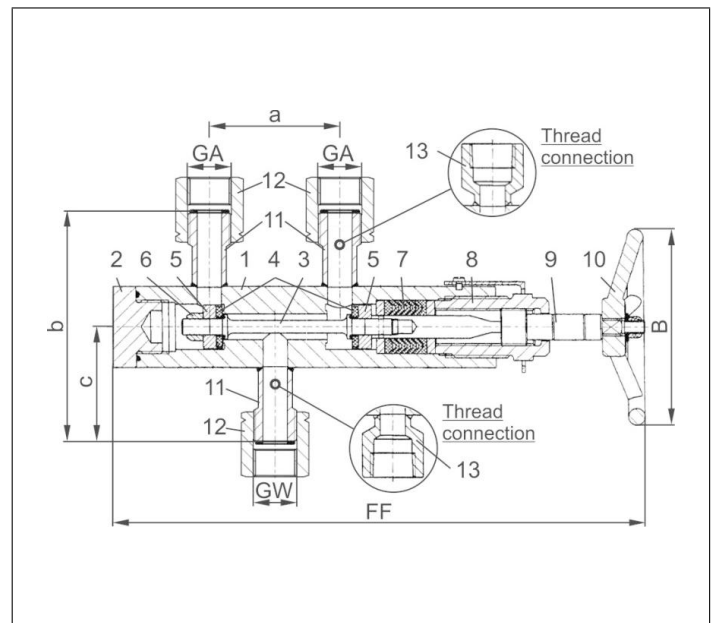
- Changeover valves with pneumatic or electric actuator
- Inlet GW and/or outlet GA with female thread (G) acc. to ISO 228/1
- Inlet GW and/or outlet GA with female thread NPT acc. to ANSI B 1.20.3
- Combination of different thread connections GW - GA

Applications:

Approved for air gases, vapours and cryogenic liquefied gases incl. LNG.

Working temperature: -196°C / -321°F (77K) up to +185°C / +365°F (458K)

| Materials | DIN EN | ASTM |
|----------------------|----------------------------|-----------------------------------|
| 1 Body | 1.4571 | A 276 Grade 316Ti |
| 2 Plug | 1.4571 | A 276 Grade 316Ti |
| 3 Disc stem | 1.4571 | A 276 Grade 316Ti |
| 4 Valve seal | PTFE / Carbon filled (25%) | |
| 5 Disc | 1.4571 | A 276 Grade 316Ti |
| 6 Disc nut | 1.4301/A2 | A 194 B8 |
| 7 Gland packing | PTFE / Carbon filled (25%) | |
| 8 Head piece | CW452K nickel plated | B 159 UNS C51900 nickel plated |
| 9 Stem | 1.4571 | A 276 Grade 316Ti |
| 10 Handwheel | Aluminium alloy | |
| 11 Welding piece | 1.4571 | A 276 Grade 316Ti |
| 12 Locking sleeve | 1.4571 | A 276 Grade 316Ti |
| 13 Thread connection | 1.4571 | A 276 Grade 316Ti |



| Typ 06401 - Standard design | Technical data | |
|-------------------------------|-------------------|----------|
| Nominal size | DN | 15 |
| Inlet | GW | G 3/4 LH |
| Outlet | GA | G 3/4 LH |
| Face-to-face dimension | FF | 325 |
| Handwheel-Ø | B | 120 |
| Length | a | 80 |
| Height | b | 140 |
| Length | c | 70 |
| Weight | ca. kg | 5.0 |
| Kvs - Value, one side open | m ³ /h | 4.0 |
| Cv - Value, one side open | gal /min | 4.6 |
| Kvs - Value, central position | m ³ /h | 5.8 |
| Cv - Value, central position | gal /min | 6.7 |

Dimensions in mm.

Changeover Valves

Type 06401 - Changeover Valve DN15



Cryogenic Changeover Valves, stainless steel, PN160

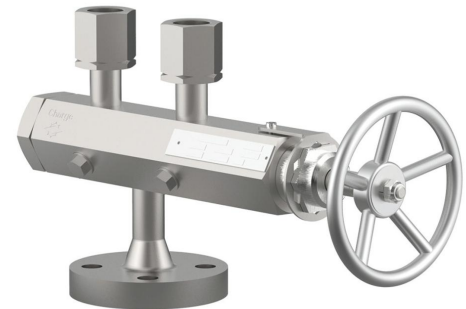
for the installation of two safety valves,
with two test connections G 1/4,
"cleaned and degreased for oxygen service"

Part No. 06401.0150.9029

Inlet: Flange, DN15, PN 160
Outlet: locking sleeve G 3/4

Part No. 06401.0150.9***

*** Changeover valves with other flanges for vessel connection
and threaded connection for safety valves on request



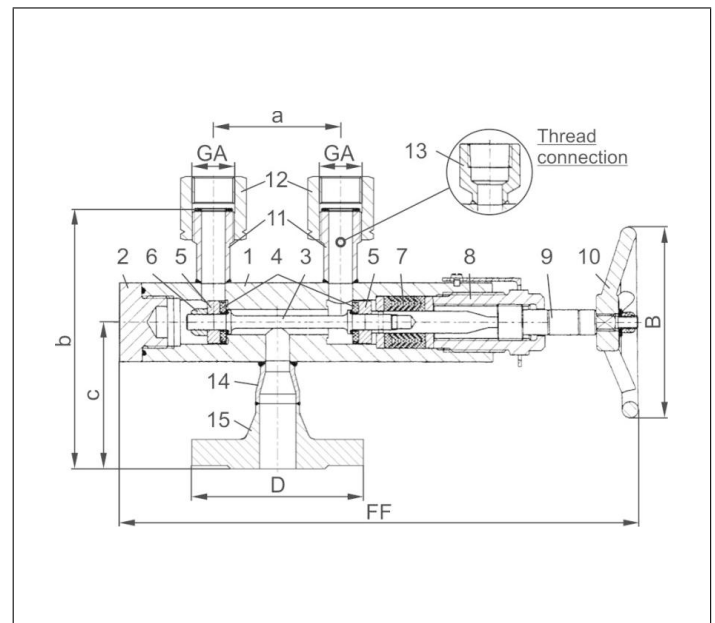
Available options - on request only:

- Changeover valves with pneumatic or electric actuator
- Outlet GA with female thread (G) acc. to ISO 228/1
- Outlet GA with female thread NPT acc. to ANSI B 1.20.3
- Outlet GA with flanged connections

Applications:

Approved for air gases, vapours and cryogenic liquefied gases incl. LNG.
Working temperature: -196°C / -321°F (77K) up to +185°C / +365°F (458K)

| Materials | DIN EN | ASTM |
|----------------------|----------------------------|-----------------------------------|
| 1 Body | 1.4571 | A 276 Grade 316Ti |
| 2 Plug | 1.4571 | A 276 Grade 316Ti |
| 3 Disc stem | 1.4571 | A 276 Grade 316Ti |
| 4 Valve seal | PTFE / Carbon filled (25%) | |
| 5 Disc | 1.4571 | A 276 Grade 316Ti |
| 6 Disc nut | 1.4301/A2 | A 194 B8 |
| 7 Gland packing | PTFE / Carbon filled (25%) | |
| 8 Head piece | CW452K nickel plated | B 159 UNS C51900 nickel plated |
| 9 Stem | 1.4571 | A 276 Grade 316Ti |
| 10 Handwheel | Aluminium alloy | |
| 11 Welding piece | 1.4571 | A 276 Grade 316Ti |
| 12 Locking sleeve | 1.4571 | A 276 Grade 316Ti |
| 13 Thread connection | 1.4571 | A 276 Grade 316Ti |
| 14 Adapter | 1.4571 | A 276 Grade 316Ti |
| 15 Flange | 1.4571 | A 276 Grade 316Ti |



| Type 06401 - Standard design | Technical data | |
|-------------------------------|-------------------|----------|
| Nominal size | DN | 15 |
| Flange diameter | D | 105 |
| Outlet | GA | G 3/4 LH |
| Face-to-face dimension | FF | 325 |
| Handwheel-Ø | B | 120 |
| Length | a | 80 |
| Height | b | 170 |
| Length | c | 100 |
| Weight | ca. kg | 6.0 |
| Kvs - Value, one side open | m ³ /h | 4.0 |
| Cv - Value, one side open | gal /min | 4.6 |
| Kvs - Valve, central position | m ³ /h | 5.8 |
| Cv - Valve, central position | gal /min | 6.7 |

Dimensions in mm.

Changeover Valves

Type 06401 - Changeover Valve DN25



Cryogenic Changeover Valves, stainless steel, PN125

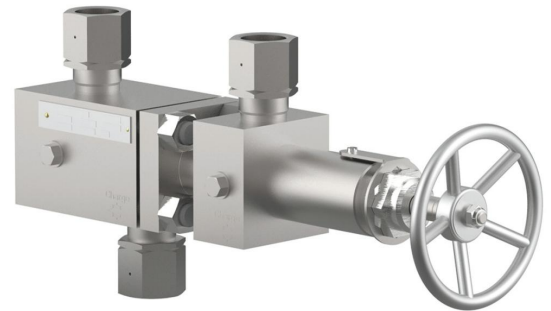
for the installation of two safety valves,
with two test connections G 1/4,
"cleaned and degreased for oxygen service"

Part No. 06401.0250.9045

In- and Outlet: locking sleeve G 1

Part No. 06401.0250.9***

*** Changeover valves with other threads for
vessel or safety valve connection on request



Available options - on request only:

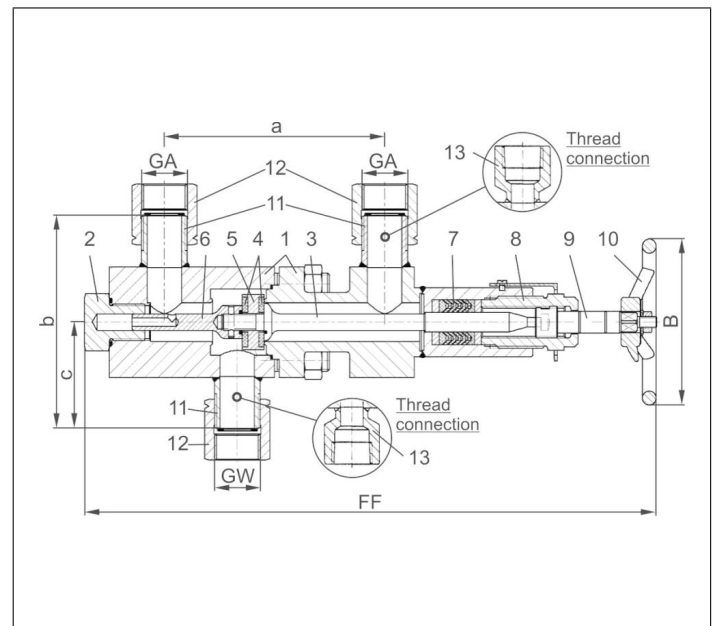
- Changeover valves with pneumatic or electric actuator
- Inlet GW and/or outlet GA with female thread (G) acc. to ISO 228/1
- Inlet GW and/or outlet GA with female thread NPT acc. to ANSI B 1.20.3
- Combination of different thread connections GW - GA

Applications:

Approved for air gases, vapours and cryogenic liquefied gases incl. LNG.

Working temperature: -196°C / -321°F (77K) up to +185°C / +365°F (458K)

| Materials | DIN EN | ASTM |
|----------------------|----------------------------|-----------------------------------|
| 1 Body | 1.4571 | A 276 Grade 316Ti |
| 2 Plug | 1.4571 | A 276 Grade 316Ti |
| 3 Disc stem | 1.4571 | A 276 Grade 316Ti |
| 4 Valve seal | PCTFE | |
| 5 Disc | 1.4571 | A 276 Grade 316Ti |
| 6 Disc stem | 1.4571 | A 276 Grade 316Ti |
| 7 Gland packing | PTFE / Carbon filled (25%) | |
| 8 Head piece | CW452K nickel plated | B 159 UNS C51900 nickel plated |
| 9 Stem | 1.4571 | A 276 Grade 316Ti |
| 10 Handwheel | Aluminium alloy | |
| 11 Welding piece | 1.4571 | A 276 Grade 316Ti |
| 12 Locking sleeve | 1.4571 | A 276 Grade 316Ti |
| 13 Thread connection | 1.4571 | A 276 Grade 316Ti |



| Typ 06401 - Standard design | Technical data | |
|-------------------------------|-------------------|--------|
| Nominal size | DN | 25 |
| Inlet | GW | G 1 LH |
| Outlet | GA | G 1 LH |
| Face-to-face dimension | FF | 415 |
| Handwheel-Ø | B | 120 |
| Length | a | 160 |
| Height | b | 160 |
| Length | c | 80 |
| Weight | ca. kg | 11.7 |
| Kvs - Value, one side open | m ³ /h | 13.0 |
| Cv - Value, one side open | gal /min | 15.0 |
| Kvs - Value, central position | m ³ /h | 15.5 |
| Cv - Value, central position | gal /min | 17.9 |

Dimensions in mm.

Changeover Valves

Type 06401 - Changeover Valve DN25



Cryogenic Changeover Valves, stainless steel, PN160

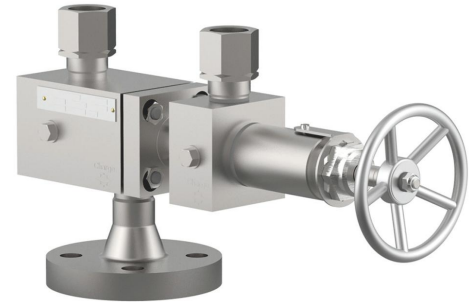
for the installation of two safety valves,
with two test connections G 1/4,
"cleaned and degreased for oxygen service"

Part No. 06401.0250.9018

Inlet Flange, DN 25, PN 160
Outlet: locking sleeve G1

Part No. 06401.0250.9***

*** Changeover valves with other flanges for vessel connection
and connection for safety valves on request



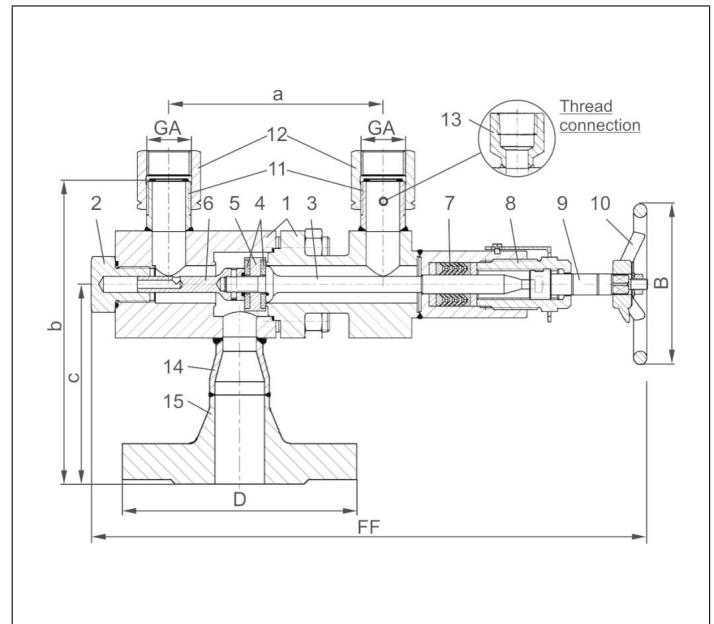
Available options - on request only:

- Changeover valves with pneumatic or electric actuator
- Outlet GA with female thread (G) acc. to ISO 228/1
- Outlet GA with female thread NPT acc. to ANSI B 1.20.3
- Outlet GA with flanged connections

Applications:

Approved for air gases, vapours and cryogenic liquefied gases incl. LNG.
Working temperature: -196°C / -321°F (77K) up to +185°C / +365°F (458K)

| Materials | DIN EN | ASTM |
|----------------------|----------------------------|-----------------------------------|
| 1 Body | 1.4571 | A 276 Grade 316Ti |
| 2 Plug | 1.4571 | A 276 Grade 316Ti |
| 3 Disc stem | 1.4571 | A 276 Grade 316Ti |
| 4 Valve seal | PCTFE | |
| 5 Disc | 1.4571 | A 276 Grade 316Ti |
| 6 Disc stem | 1.4571 | A 276 Grade 316Ti |
| 7 Gland packing | PTFE / Carbon filled (25%) | |
| 8 Head piece | CW452K nickel plated | B 159 UNS C51900 nickel plated |
| 9 Stem | 1.4571 | A 276 Grade 316Ti |
| 10 Handwheel | Aluminium alloy | |
| 11 Welding piece | 1.4571 | A 276 Grade 316Ti |
| 12 Locking sleeve | 1.4571 | A 276 Grade 316Ti |
| 13 Thread connection | 1.4571 | A 276 Grade 316Ti |
| 14 Adapter | 1.4571 | A 276 Grade 316Ti |
| 15 Flange | 1.4571 | A 276 Grade 316Ti |



| Type 06401 - Standard design | Technical data | |
|-------------------------------|-------------------|--------|
| Nominal size | DN | 25 |
| Flange diameter | D | 140 |
| Outlet | GA | G 1 LH |
| Face-to-face dimension | FF | 415 |
| Handwheel-Ø | B | 120 |
| Length | a | 160 |
| Height | b | 200 |
| Length | c | 125 |
| Weight | ca. kg | 14.1 |
| Kvs - Value, one side open | m ³ /h | 13.0 |
| Cv - Value, one side open | gal /min | 15.0 |
| Kvs - Valve, central position | m ³ /h | 15.5 |
| Cv - Valve, central position | gal /min | 17.9 |

Dimensions in mm.

Changeover Valves

Type 06401 - Bellow Sealed Changeover Valve



Cryogenic Bellow Sealed Changeover Valves, stainless steel, PN63

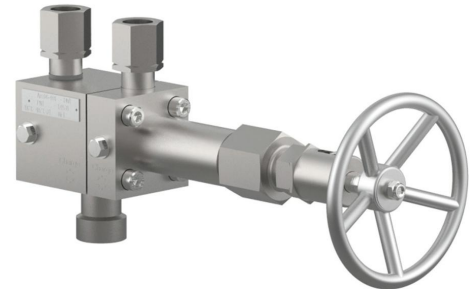
for the installation of two safety valves,
with indicator and two test connections G 1/4,
"cleaned and degreased for oxygen service"

Part No. 06401.0150.9***

*** In- and outlet connections with locking sleeve, female thread or flanges on request, working pressure up to PN100

Part No. 06401.0250.9***

*** In- and outlet connections with locking sleeve, female thread or flanges on request, working pressure up to PN63



Available options - on request only:

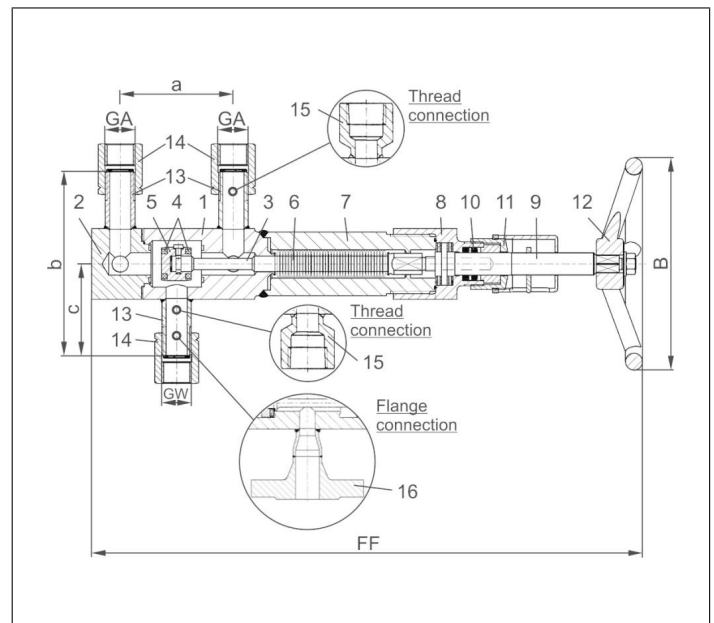
- Changeover valves with pneumatic or electric actuator

Applications:

Approved for air gases, vapours and cryogenic liquefied gases incl. LNG.

Working temperature: -196°C / -321°F (77K) up to +185°C / +365°F (458K)

| Materials | DIN EN | ASTM |
|----------------------|-----------------|-------------------|
| 1 Body I | 1.4571 | A 276 Grade 316Ti |
| 2 Body II | 1.4571 | A 276 Grade 316Ti |
| 3 Bellow stem | 1.4571 | A 276 Grade 316Ti |
| 4 Valve seal | PCTEF | |
| 5 Disc | 1.4571 | A 276 Grade 316Ti |
| 6 Bellow | 1.4571 | A 276 Grade 316Ti |
| 7 Headpiece I | 1.4571 | A 276 Grade 316Ti |
| 8 Headpiece II | 1.4571 | A 276 Grade 316Ti |
| 9 Stem | CW452K | B 159 UNS C51900 |
| 10 O-Rings | FPM (VITON) | |
| 11 Top ring | 1.4571 | A 276 Grade 316Ti |
| 12 Handwheel | Aluminium alloy | |
| 13 Welding piece | 1.4571 | A 276 Grade 316Ti |
| 14 Locking sleeve | 1.4571 | A 276 Grade 316Ti |
| 15 Thread connection | 1.4571 | A 276 Grade 316Ti |
| 16 Flange | 1.4571 | A 276 Grade 316Ti |



| Typ 06401 - Standard design | Technical data | | |
|-------------------------------|-------------------|-----------|-----------|
| Nominal size | DN | 15 | 25 |
| Dimension code | .X. | 0150 | 0250 |
| Inlet | GW | G 3/4 LH | G 1 LH |
| Outlet | GA | G 3/4 LH | G1 LH |
| Face-to-face dimension | FF | 390 | 390 |
| Handwheel-Ø | B | 150 | 150 |
| Length | a | 80 | 80 |
| Height | b | 130 | 160 |
| Length | c | 65 | 80 |
| Weight | ca. kg | 8.0 | 9.9 |
| Kvs - Value, one side open | m ³ /h | 9.5 | 13.0 |
| Cv - Value, one side open | gal /min | 11.0 | 15.0 |
| Kvs - Value, central position | m ³ /h | 13.5 | 15.5 |
| Cv - Value, central position | gal /min | 15.6 | 17.9 |

Dimensions in mm.